



**REQUEST FOR QUALIFICATIONS (RFQ) Engineering and Permitting Services for
Generator Installation and Grid Integration
Central Washington University
CWU Contract No. 17492-01 – Campus Emergency Backup Power '25-'27**

RESPONSE DATE: 3:00 PM PST, Ellensburg, WA local time, Wednesday, August 13th, 2025.

Project Overview

Central Washington University (CWU) is requesting Statements of Qualifications (SOQs) from qualified engineering teams to provide engineering design, permitting, and construction administration services related to the installation and CWU grid integration of three (3) 2MW generators. These services will include feasibility evaluation, Washington Department of Ecology permitting, electrical engineering design, and construction-phase administration.

Department of Ecology Permitting sub-consultant is to have a minimum of one year of experience managing modifications to CWU's Air Quality Permit – NOC Approval Order No. 10AQ-C147, this Sub-Consultant is to be hired by selected Prime Consultant.

This project has received funding through the Washington Office of Financial Management (OFM) 2025–2027 Capital Budget. The scope of this project supports CWU's long-term decarbonization and resiliency planning as required by House Bill 1390. These generators will serve as critical backup for existing campus systems to ensure uninterrupted operation of life safety systems, heating, and basic infrastructure during prolonged outages.

PROJECT BACKGROUND:

CWU is currently implementing a comprehensive 15-year campus decarbonization plan, including the development of new geothermal plants and electric vehicle infrastructure. These additions significantly increase campus energy demands. The installation of new backup generator capacity is necessary to maintain resiliency during emergency scenarios and to support the transition.

PROJECT SCOPE OF WORK

Deliverable I: Feasibility Study

- Conduct desktop study and onsite survey of CWU's electrical grid infrastructure.
- Facilitate meetings with CWU staff and Washington Department of Ecology (ECY) permitting sub-consultant.

CAPITAL PLANNING & PROJECTS

400 E University Way | Ellensburg WA 98926 | Office: 509-963-2906

Email: Delano.palmer@cwu.edu | Web: CWU.edu/operations/capital

CWU is an EEO/AA/Title IX Institution. For accommodation email: DS@cwu.edu.

This is an electronic communication from Central Washington University.

- Prepare executive summary addressing:
 - Feasibility of proposed generator sizing and placement
 - Generator siting and electrical sequencing/integration strategies
 - Summary of Ecology permitting processes and potential contract implications
 - Generator configuration options: (1) Diesel-only, (2) Diesel/Natural Gas, (3) Natural Gas-only (if available)
 - Estimated construction and operating costs for each option
- Organize stakeholder meeting with CWU, permitting team, and City of Ellensburg to finalize configuration.

Deliverable 2: Engineering, permitting and construction documents for options chosen in **Deliverable 1.**

- Provide generator submittals as required for Ecology’s Notice of Construction (NOC) application.
- Initiate and support Ecology’s NOC application process.
- Complete engineered electrical design and campus grid integration, including alternate feed sequencing for on-campus outages.
- Conduct pre-application meeting with City of Ellensburg.
- Fulfill permitting requirements for:
 - Washington Dept. of Ecology
 - Washington Labor and Industries
 - City of Ellensburg
 - Any other applicable agencies
- Coordinate and attend stakeholder meetings throughout permitting.
- Deliver complete bid-ready construction document package.

Deliverable 3: Construction Administration (*Post Notice to Proceed from Washington Department of Ecology*)

- Support bid phase and manage bid opening.
- Provide construction monitoring and administration services.
- Review submittals and change orders; provide recommendations to CWU.
- Assist with final project closeout documentation, including:
 - Asset data
 - Equipment specifications
 - O&M manuals
 - As-Built Drawings

PRE-SUBMITTAL INFORMATION

Firms interested in this RFQ are encouraged Review CWU's Design and Construction Standards (DACS). These can be found on our CWU Capital Planning and Projects website at <https://www.cwu.edu/about/offices/facilities/capital-planning-projects/design-construction-standards.php>

See RFQ supplemental documents:

- Attachment A - C5.2 - CWU One Line Diagram_R8 (Utility Infrastructure Map from City of Ellensburg - Accuracy not guaranteed, all drawings to be field verified.)
- Attachment B – SF330 (See Submittal Requirements)

At the discretion of the University, firms that are not physically located in the State of Washington will be required to affiliate with a qualified, in-state firm acceptable to the University.

For project information and required submittal information contact:

Delano Palmer, Director Capital Planning and Projects
Central Washington University
400 E. University Way
Ellensburg, WA 98926-7523
P. (509) 963-2906
e. delano.palmer@cwu.edu

Gary Gleason, Construction Project Coordinator 3
Central Washington University
400 E. University Way
Ellensburg, WA 98926-7523
P. (509) 899-3889
e. gary.gleason@cwu.edu

The University is requiring electronic submittals of the items listed below for this solicitation. Hard copy submittals will not be accepted. Submissions must be electronically delivered to gary.gleason@cwu.edu & Delano.Palmer@cwu.edu prior to 3:00 PST on the scheduled date. Since CWU limits incoming email to 7 Mb, submissions should be made via zip file, drop box, cloud download or similar means.

1. The electronic submittal shall use this subject line: "CWU Project No. 17492-01 – Campus Emergency Backup Power '25-'27 – Due 3:00 PM PST, Ellensburg, WA local time, Wednesday, August 13th, 2025".
2. Please limit the file size to 7MB.
3. The University will use the time stamp on the submittal upload to determine timeliness.

4. Proposers are responsible for ensuring timely delivery of submittals.
5. The University is not responsible for Finalists' technical difficulties in submitting electronically.
6. Late submittals will not be evaluated.
7. Submittal format requirements:
 - a. Formatted in a single searchable PDF.
 - b. Include searchable bookmarks for each section of the Qualification, corresponding to the sections outline in Selection Criteria.
 - c. Organized in accordance with the RFQ.
 - d. Submittals are encouraged to be under forty (40) pages, not including appendices. A "page" is defined as, when printed, a one-sided single sheet of 8.5 x 11 paper, unless the instruction specifically allows a larger sheet of paper.
 - e. The font should be no smaller than 10 points.

Any addenda issued for this RFQ will be published at the following website address:
<https://www.cwu.edu/about/offices/facilities/capital-planning-projects/index.php>

Design teams are responsible for checking the website for any addenda prior to submission of Qualifications. If you are unable to download the addenda, you may contact the individuals noted above.

SUBMITTAL REQUIREMENTS

- Letter of interest
- Company profile/brochure illustrating the design and construction documentation capabilities of the A/E team necessary to complete the project.
- List of up to six projects with comparable size and scope that have been led by your firm or successfully completed by your firm, with client references. Please note your experience with similar projects and scopes of work. References should include client names, titles, telephone numbers, and emails. Lists should include:
 - project name
 - project budget
 - project location
 - project start and completion dates.
 - website (if applicable)
 - listing of project characteristics that relate to this project.
- Qualifications of primary team members (including sub-consultants) that will perform duties on this project, anticipated responsibilities if selected, and up to two references per team member. References shall include firm, title, name, telephone number and email.
- Completed Standard Form 330 (Attachment B)
- Diversity, Equity, and Inclusion plan that minimally includes the planned % for OMWBE Participation
- Insurance forms (may be included as an appendix) indicating the firm's ability to provide insurance in the following amounts:

- Professional Liability Insurance – annual aggregate of \$1,000,000.
- General Liability Insurance – combined single limit of \$1,000,000, aggregate limit of \$2,000,000.
- Auto Insurance – combined single limit of \$1,000,000.
- Workers Compensation

SELECTION CRITERIA

- Demonstration on how your firm will provide services that align with CWU's Vision, Mission, and Strategic Plan www.cwu.edu/mission
- Show experience in similar infrastructure projects constructed over a 2-to-10-year span.
- Demonstrated knowledge of Department of Ecology operations and coordination on project executions.
- Demonstrated ability to accurately estimate construction costs and operations and maintenance cost.
- A Diversity, Equity and Inclusion plan that minimally states the % planned for each OMWBE category that ensures minority and women-owned firms and veteran-owned firms are afforded the maximum practicable opportunity to participate in this project.
- Familiarity with State of Washington Public Works procedures.
- Quality of consultant's service received by previous clients including CWU.
- Key personnel experience relating to design and construction documentation for projects of this type and complexity.
- Proximity of the consultants to the project site.
- Ability to meet schedules.
- Cost estimating skills related to similar projects, including historical accuracy of firm with conceptual cost estimates through design and construction.

PROJECT SCHEDULE

July 16, 2025 ----- Advertise RFQ

August 13, 2025 (3PM) ---- Qualifications Due

Aug 18, – Aug 22, 2025 ----- Selection committee evaluation and creation of shortlist

Aug 29, 2025 ----- Notification of results and interview criteria to shortlist firms

Sep 1 – Sep 12, 2025 ----- Get interviews scheduled with shortlist firms

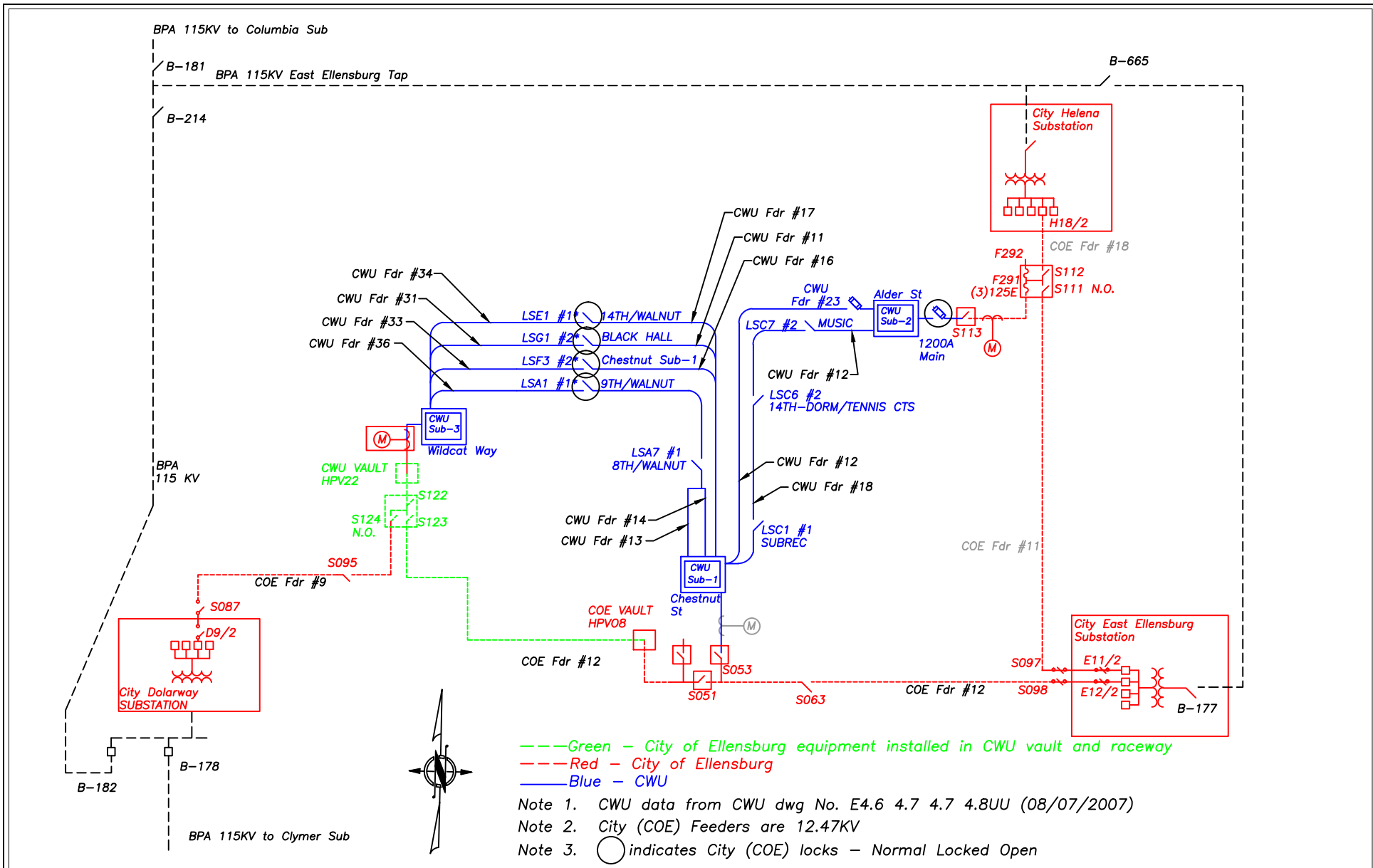
Sep 29 - Oct 3, 2025 ----- Perform interviews of shortlist firms

Oct 6 – Oct 17, 2025----- Final selection & contract negotiations

Mid-November ----- Anticipated Notice to Proceed

Nov 2025 - Feb 2026 ----- Perform Study (**Deliverable 1 Due Feb 2026**)

Mar 2026 ----- CWU to give Engineering Firm Final Option
April 2026 -Oct 2026 ----- Engineering / Permitting **(Deliverable 2)**
Nov 2026 -Jan 2027 ----- Project Advertisement **(Deliverable 3 - Begin)**
Feb 2027 - Mar 2027 ----- Construction Contracting
Apr 2027 – May 2027 ----- Construction Start
May 2027 – May 2028 --- Construction Substantial Completion and Punchlist Items
May 2028 – June 2028 ---- Construction Closeout **(Deliverable 3 - End)**



---Green --- City of Ellensburg equipment installed in CWU vault and raceway
 ---Red --- City of Ellensburg
 ---Blue --- CWU
 Note 1. CWU data from CWU dwg No. E4.6 4.7 4.7 4.8UU (08/07/2007)
 Note 2. City (COE) Feeders are 12.47KV
 Note 3. ○ indicates City (COE) locks - Normal Locked Open

Feb 10, 2017 - 11:06am P:\Projects\LIGHT\Spec Book\Standards Library\Electric Standards & Specifications\I - Standard Practices\C Standing Orders\C5 - CWU\C5.2 - CWU One Line Diagram_R8.dwg

SCALE	NTS
DATE	07/03/14
REV DATE	02/10/17
PHONE	925-8602
FAX	925-8662

EXHIBIT A
 COE - CWU OWNERSHIP DIAGRAM
 ENERGY SERVICES - LIGHT DEPARTMENT

CITY OF ELLENSBURG
 ELLENSBURG, WASHINGTON

DESIGN BY	PJM
DRAWN BY	PJM
CHECKED BY	PJM
SHEET 1 OF 1	
DRAWING NUMBER	REV
C5.2	8

ARCHITECT-ENGINEER QUALIFICATIONSOMB Control Number: 9000-0157
Expiration Date: 1/31/2027

Paperwork Reduction Act Statement - This information collection meets the requirements of 44 USC § 3507, as amended by section 2 of the Paperwork Reduction Act of 1995. You do not need to answer these questions unless we display a valid Office of Management and Budget (OMB) control number. The OMB control number for this collection is 9000-0157. We estimate that it will take 29 hours (25 hours for part 1 and 4 hours for Part 2) to read the instructions, gather the facts, and answer the questions. Send only comments relating to our time estimate, including suggestions for reducing this burden, or any other aspects of this collection of information to: U.S. General Services Administration, Regulatory Secretariat Division (M1V1CB), 1800 F Street, NW, Washington, DC 20405.

PURPOSE

Federal agencies use this form to obtain information from architect-engineer (A-E) firms about their professional qualifications. Federal agencies select firms for A-E contracts on the basis of professional qualifications as required by 40 U.S.C. chapter 11, Selection of Architects Engineers, and Part 36 of the Federal Acquisition Regulation (FAR).

The Selection of Architects and Engineers statute requires the public announcement of requirements for A-E services (with some exceptions provided by other statutes), and the selection of at least three of the most highly qualified firms based on demonstrated competence and professional qualifications according to specific criteria published in the announcement. The Act then requires the negotiation of a contract at a fair and reasonable price starting first with the most highly qualified firm.

The information used to evaluate firms is from this form and other sources, including performance evaluations, any additional data requested by the agency, and interviews with the most highly qualified firms and their references.

GENERAL INSTRUCTIONS

Part I presents the qualifications for a specific contract.

Part II presents the general qualifications of a firm or a specific branch office of a firm. Part II has two uses:

1. An A-E firm may submit Part II to the appropriate central, regional or local office of each Federal agency to be kept on file. A public announcement is not required for certain contracts, and agencies may use Part II as a basis for selecting at least three of the most highly qualified firms for discussions prior to requesting submission of Part I. Firms are encouraged to update Part II on file with agency offices, as appropriate, according to FAR Part 36. If a firm has branch offices, submit a separate Part II for each branch office seeking work.

2. Prepare a separate Part II for each firm that will be part of the team proposed for a specific contract and submitted with Part I. If a firm has branch offices, submit a separate Part II for each branch office that has a key role on the team.

INDIVIDUAL AGENCY INSTRUCTIONS

Individual agencies may supplement these instructions. For example, they may limit the number of projects or number of pages submitted in Part I in response to a public announcement for a particular project. Carefully comply with any agency instructions when preparing and submitting this form. Be as concise as possible and provide only the information requested by the agency.

DEFINITIONS

Architect-Engineer Services: Defined in FAR 2.101.

Branch Office: A geographically distinct place of business or subsidiary office of a firm that has a key role on the team.

Discipline: Primary technical capabilities of key personnel, as evidenced by academic degree, professional registration, certification, and/or extensive experience.

Firm: Defined in FAR 36.102.

Key Personnel: Individuals who will have major contract responsibilities and/or provide unusual or unique expertise.

SPECIFIC INSTRUCTIONS**Part I - Contract-Specific Qualifications**

Section A. Contract Information.

1. Title and Location. Enter the title and location of the contract for which this form is being submitted, exactly as shown in the public announcement or agency request.

2. Public Notice Date. Enter the posted date of the agency's notice on the Federal Business Opportunity website (FedBizOpps), other form of public announcement or agency request for this contract.

3. Solicitation or Project Number. Enter the agency's solicitation number and/or project number, if applicable, exactly as shown in the public announcement or agency request for this contract.

Section B. Architect-Engineer Point of Contact.

4-8. Name, Title, Name of Firm, Telephone Number, Fax (Facsimile) Number and E-mail (Electronic Mail) Address. Provide information for a representative of the prime contractor or joint venture that the agency can contact for additional information.

Section C. Proposed Team.

9-11. Firm Name, Address, and Role in This Contract. Provide the contractual relationship, name, full mailing address, and a brief description of the role of each firm that will be involved in performance of this contract. List the prime contractor or joint venture partners first. If a firm has branch offices, indicate each individual branch office that will have a key role on the team. The named subcontractors and outside associates or consultants must be used, and any change must be approved by the contracting officer. (See FAR Part 52 Clause "Subcontractors and Outside Associates and Consultants (Architect-Engineer Services)"). Attach an additional sheet in the same format as Section C if needed.

Section D. Organizational Chart of Proposed Team.

As an attachment after Section C, present an organizational chart of the proposed team showing the names and roles of all key personnel listed in Section E and the firm they are associated with as listed in Section C.

Section E. Resumes of Key Personnel Proposed for this Contract.

Complete this section for each key person who will participate in this contract. Group by firm, with personnel of the prime contractor or joint venture partner firms first. The following blocks must be completed for each resume:

12. Name. Self-explanatory.

13. Role in this contract. Self-explanatory.

14. Years Experience. Total years of relevant experience (block 14a), and years of relevant experience with current firm, but not necessarily the same branch office (block 14b).

15. Firm Name and Location. Name, city and state of the firm where the person currently works, which must correspond with one of the firms (or branch office of a firm, if appropriate) listed in Section C.

16. Education. Provide information on the highest relevant academic degree(s) received. Indicate the area(s) of specialization for each degree.

17. Current Professional Registration. Provide information on current relevant professional registration(s) in a State or possession of the United States, Puerto Rico, or the District of Columbia according to FAR Part 36.

18. Other Professional Qualifications. Provide information on any other professional qualifications relating to this contract, such as education, professional registration, publications, organizational memberships, certifications, training, awards, and foreign language capabilities.

19. Relevant Projects. Provide information on up to five projects in which the person had a significant role that demonstrates the person's capability relevant to her/his proposed role in this contract. These projects do not necessarily have to be any of the projects presented in Section F for the project team if the person was not involved in any of those projects or the person worked on other projects that were more relevant than the team projects in Section F. Use the check box provided to indicate if the project was performed with any office of the current firm. If any of the professional services or construction projects are not complete, leave Year Completed blank and indicate the status in Brief Description and Specific Role (block (3)).

Section F. Example Projects Which Best Illustrate Proposed Team's Qualifications for this Contract.

Select projects where multiple team members worked together, if possible, that demonstrate the team's capability to perform work similar to that required for this contract. Complete one Section F for each project. Present ten projects, unless otherwise specified by the agency. Complete the following blocks for each project:

20. Example Project Key Number. Start with "1" for the first project and number consecutively.

21. Title and Location. Title and location of project or contract. For an indefinite delivery contract, the location is the geographic scope of the contract.

22. Year Completed. Enter the year completed of the professional services (such as planning, engineering study, design, or surveying), and/or the year completed of construction, if applicable. If any of the professional services or the construction projects are not complete, leave Year Completed blank and indicate the status in Brief Description of Project and Relevance to this Contract (block 24).

23a. Project Owner. Project owner or user, such as a government agency or installation, an institution, a corporation or private individual.

23b. Point of Contact Name. Provide name of a person associated with the project owner or the organization which contracted for the professional services, who is very familiar with the project and the firm's (or firms') performance.

23c. Point of Contact Telephone Number. Self-explanatory.

24. Brief Description of Project and Relevance to this Contract. Indicate scope, size, cost, principal elements and special features of the project. Discuss the relevance of the example project to this contract. Enter any other information requested by the agency for each example project.

25. Firms from Section C Involved with this Project. Indicate which firms (or branch offices, if appropriate) on the project team were involved in the example project, and their roles. List in the same order as Section C.

Section G. Key Personnel Participation in Example Projects.

This matrix is intended to graphically depict which key personnel identified in Section E worked on the example projects listed in Section F. Complete the following blocks (see example below).

26. and 27. Names of Key Personnel and Role in this Contract. List the names of the key personnel and their proposed roles in this contract in the same order as they appear in Section E.

28. Example Projects Listed in Section F. In the column under each project key number (see block 29) and for each key person, place an "X" under the project key number for participation in the same or similar role.

29. Example Projects Key. List the key numbers and titles of the example projects in the same order as they appear in Section F.

Section H. Additional Information.

30. Use this section to provide additional information specifically requested by the agency or to address selection criteria that are not covered by the information provided in Sections A-G.

Section I. Authorized Representative.

31. and 32. Signature of Authorized Representative and Date. An authorized representative of a joint venture or the prime contractor must sign and date the completed form. Signing attests that the information provided is current and factual, and that all firms on the proposed team agree to work on the project. Joint ventures selected for negotiations must make available a statement of participation by a principal of each member of the joint venture.

33. Name and Title. Self-explanatory.

SAMPLE ENTRIES FOR SECTION G (MATRIX)

26. NAMES OF KEY PERSONNEL (From Section E, Block 12)	27. ROLE IN THIS CONTRACT (From Section E, Block 13)	28. EXAMPLE PROJECTS LISTED IN SECTION F (Fill in "Example Projects Key" section below first, before completing table. Place "X" under project key number for participation in same or similar role.)									
		1	2	3	4	5	6	7	8	9	10
Jane A. Smith	Chief Architect	X		X							
Joseph B. Williams	Chief Mechanical Engineer	X	X	X	X						
Tara C. Donovan	Chief Electrical Engineer	X	X		X						

29. EXAMPLE PROJECTS KEY

NUMBER	TITLE OF EXAMPLE PROJECT (From Section F)	NUMBER	TITLE OF EXAMPLE PROJECT (From Section F)
1	Federal Courthouse, Denver, CO	6	XYZ Corporation Headquarters, Boston, MA
2	Justin J. Wilson Federal Building, Baton Rouge, LA	7	Founder's Museum, Newport, RI

Part II - General Qualifications

See the "**General Instructions**" on page 1 for firms with branch offices. Prepare Part II for the specific branch office seeking work if the firm has branch offices.

1. Solicitation Number. If Part II is submitted for a specific contract, insert the agency's solicitation number and/or project number, if applicable, exactly as shown in the public announcement or agency request.

2a-2e. Firm (or Branch Office) Name and Address. Self-explanatory.

3. Year Established. Enter the year the firm (or branch office, if appropriate) was established under the current name.

4. Unique Entity Identifier. Insert the unique entity identifier issued by the entity designated at SAM. See FAR part 4.6.

5. Ownership.

a. Type. Enter the type of ownership or legal structure of the firm (sole proprietor, partnership, corporation, joint venture, etc.).

b. Small Business Status. Refer to the North American Industry Classification System (NAICS) code in the public announcement, and indicate if the firm is a small business according to the current size standard for that NAICS code (for example, Engineering Services (part of NAICS 541330), Architectural Services (NAICS 541310), Surveying and Mapping Services (NAICS 541370)). The small business categories and the internet website for the NAICS codes appear in FAR part 19. Contact the requesting agency for any questions. Contact your local U.S. Small Business Administration office for any questions regarding Business Status.

6a-6c. Point of Contact. Provide this information for a representative of the firm that the agency can contact for additional information. The representative must be empowered to speak on contractual and policy matters.

7. Name of Firm. Enter the name of the firm if Part II is prepared for a branch office.

8a-8c. Former Firm Names. Indicate any other previous names for the firm (or branch office) during the last six years. Insert the year that this corporate name change was effective and the associated unique entity identifier. This information is used to review past performance on Federal contracts.

9. Employees by Discipline. Use the relevant disciplines and associated function codes shown at the end of these instructions and list in the same numerical order. After the listed disciplines, write in any additional disciplines and leave the function code blank. List no more than 20 disciplines. Group remaining employees under "Other Employees" in column b. Each person can be counted only once according to his/her primary function. If Part II is prepared for a firm (including all branch offices), enter the number of employees by disciplines in column c(1). If Part II is prepared for a branch office, enter the number of employees by discipline in column c(2) and for the firm in column c(1).

10. Profile of Firm's Experience and Annual Average Revenue for Last 5 Years. Complete this block for the firm or branch office for which this Part II is prepared. Enter the experience categories which most accurately reflect the firm's technical capabilities and project experience. Use the relevant experience categories and associated profile codes shown at the end of these instructions, and list in the same numerical order. After the listed experience categories, write in any unlisted relevant project experience categories and leave the profile codes blank. For each type of experience, enter the appropriate revenue index number to reflect the professional services revenues received annually (averaged over the last 5 years) by the firm or branch office for performing that type of work. A particular project may be identified with one experience category or it may be broken into components, as best reflects the capabilities and types of work performed by the firm. However, do not double count the revenues received on a particular project.

11. Annual Average Professional Services Revenues of Firm for Last 3 Years. Complete this block for the firm or branch office for which this Part II is prepared. Enter the appropriate revenue index numbers to reflect the professional services revenues received annually (averaged over the last 3 years) by the firm or branch office. Indicate Federal work (performed directly for the Federal Government, either as the prime contractor or subcontractor), non-Federal work (all other domestic and foreign work, including Federally-assisted projects), and the total.

12. Authorized Representative. An authorized representative of the firm or branch office must sign and date the completed form. Signing attests that the information provided is current and factual. Provide the name and title of the authorized representative who signed the form.

List of Disciplines (*Function Codes*)

Code	Description	Code	Description
01	Acoustical Engineer	32	Hydraulic Engineer
02	Administrative	33	Hydrographic Surveyor
03	Aerial Photographer	34	Hydrologist
04	Aeronautical Engineer	35	Industrial Engineer
05	Archeologist	36	Industrial Hygienist
06	Architect	37	Interior Designer
07	Biologist	38	Land Surveyor
08	CADD Technician	39	Landscape Architect
09	Cartographer	40	Materials Engineer
10	Chemical Engineer	41	Materials Handling Engineer
11	Chemist	42	Mechanical Engineer
12	Civil Engineer	43	Mining Engineer
13	Communications Engineer	44	Oceanographer
14	Computer Programmer	45	Photo Interpreter
15	Construction Inspector	46	Photogrammetrist
16	Construction Manager	47	Planner: Urban/Regional
17	Corrosion Engineer	48	Project Manager
18	Cost Engineer/Estimator	49	Remote Sensing Specialist
19	Ecologist	50	Risk Assessor
20	Economist	51	Safety/Occupational Health Engineer
21	Electrical Engineer	52	Sanitary Engineer
22	Electronics Engineer	53	Scheduler
23	Environmental Engineer	54	Security Specialist
24	Environmental Scientist	55	Soils Engineer
25	Fire Protection Engineer	56	Specifications Writer
26	Forensic Engineer	57	Structural Engineer
27	Foundation/Geotechnical Engineer	58	Technician/Analyst
28	Geodetic Surveyor	59	Toxicologist
29	Geographic Information System Specialist	60	Transportation Engineer
30	Geologist	61	Value Engineer
31	Health Facility Planner	62	Water Resources Engineer

List of Experience Categories (*Profile Codes*)

Code	Description	Code	Description
A01	Acoustics, Noise Abatement	E01	Ecological & Archeological Investigations
A02	Aerial Photography; Airborne Data and Imagery Collection and Analysis	E02	Educational Facilities; Classrooms
A03	Agricultural Development; Grain Storage; Farm Mechanization	E03	Electrical Studies and Design
A04	Air Pollution Control	E04	Electronics
A05	Airports; Navaids; Airport Lighting; Aircraft Fueling	E05	Elevators; Escalators; People-Movers
A06	Airports; Terminals and Hangars; Freight Handling	E06	Embassies and Chanceries
A07	Arctic Facilities	E07	Energy Conservation; New Energy Sources
A08	Animal Facilities	E08	Engineering Economics
A09	Anti-Terrorism/Force Protection	E09	Environmental Impact Studies, Assessments or Statements
A10	Asbestos Abatement	E10	Environmental and Natural Resource Mapping
A11	Auditoriums & Theaters	E11	Environmental Planning
A12	Automation; Controls; Instrumentation	E12	Environmental Remediation
B01	Barracks; Dormitories	E13	Environmental Testing and Analysis
B02	Bridges	F01	Fallout Shelters; Blast-Resistant Design
C01	Cartography	F02	Field Houses; Gyms; Stadiums
C02	Cemeteries (<i>Planning & Relocation</i>)	F03	Fire Protection
C03	Charting: Nautical and Aeronautical	F04	Fisheries; Fish ladders
C04	Chemical Processing & Storage	F05	Forensic Engineering
C05	Child Care/Development Facilities	F06	Forestry & Forest products
C06	Churches; Chapels	G01	Garages; Vehicle Maintenance Facilities; Parking Decks
C07	Coastal Engineering	G02	Gas Systems (Propane; Natural, Etc.)
C08	Codes; Standards; Ordinances	G03	Geodetic Surveying: Ground and Air-borne
C09	Cold Storage; Refrigeration and Fast Freeze	G04	Geographic Information System Services: Development, Analysis, and Data Collection
C10	Commercial Building (<i>low rise</i>) ; Shopping Centers	G05	Geospatial Data Conversion: Scanning, Digitizing, Compilation, Attributing, Scribing, Drafting
C11	Community Facilities	G06	Graphic Design
C12	Communications Systems; TV; Microwave	H01	Harbors; Jetties; Piers, Ship Terminal Facilities
C13	Computer Facilities; Computer Service	H02	Hazardous Materials Handling and Storage
C14	Conservation and Resource Management	H03	Hazardous, Toxic, Radioactive Waste Remediation
C15	Construction Management	H04	Heating; Ventilating; Air Conditioning
C16	Construction Surveying	H05	Health Systems Planning
C17	Corrosion Control; Cathodic Protection; Electrolysis	H06	Highrise; Air-Rights-Type Buildings
C18	Cost Estimating; Cost Engineering and Analysis; Parametric Costing; Forecasting	H07	Highways; Streets; Airfield Paving; Parking Lots
C19	Cryogenic Facilities	H08	Historical Preservation
D01	Dams (<i>Concrete; Arch</i>)	H09	Hospital & Medical Facilities
D02	Dams (<i>Earth; Rock</i>); Dikes; Levees	H10	Hotels; Motels
D03	Desalinization (<i>Process & Facilities</i>)	H11	Housing (<i>Residential, Multi-Family; Apartments; Condominiums</i>)
D04	Design-Build - Preparation of Requests for Proposals	H12	Hydraulics & Pneumatics
D05	Digital Elevation and Terrain Model Development	H13	Hydrographic Surveying
D06	Digital Orthophotography		
D07	Dining Halls; Clubs; Restaurants		
D08	Dredging Studies and Design		

List of Experience Categories (*Profile Codes continued*)

Code	Description	Code	Description
I01	Industrial Buildings; Manufacturing Plants	P09	Product, Machine Equipment Design
I02	Industrial Processes; Quality Control	P10	Pneumatic Structures, Air-Support Buildings
I03	Industrial Waste Treatment	P11	Postal Facilities
I04	Intelligent Transportation Systems	P12	Power Generation, Transmission, Distribution
I05	Interior Design; Space Planning	P13	Public Safety Facilities
I06	Irrigation; Drainage	R01	Radar; Sonar; Radio & Radar Telescopes
J01	Judicial and Courtroom Facilities	R02	Radio Frequency Systems & Shieldings
L01	Laboratories; Medical Research Facilities	R03	Railroad; Rapid Transit
L02	Land Surveying	R04	Recreation Facilities (Parks, Marinas, Etc.)
L03	Landscape Architecture	R05	Refrigeration Plants/Systems
L04	Libraries; Museums; Galleries	R06	Rehabilitation (Buildings; Structures; Facilities)
L05	Lighting (Interior; Display; Theater, Etc.)	R07	Remote Sensing
L06	Lighting (Exteriors; Streets; Memorials; Athletic Fields, Etc.)	R08	Research Facilities
M01	Mapping Location/Addressing Systems	R09	Resources Recovery; Recycling
M02	Materials Handling Systems; Conveyors; Sorters	R10	Risk Analysis
M03	Metallurgy	R11	Rivers; Canals; Waterways; Flood Control
M04	Microclimatology; Tropical Engineering	R12	Roofing
M05	Military Design Standards	S01	Safety Engineering; Accident Studies; OSHA Studies
M06	Mining & Mineralogy	S02	Security Systems; Intruder & Smoke Detection
M07	Missile Facilities (Silos; Fuels; Transport)	S03	Seismic Designs & Studies
M08	Modular Systems Design; Pre-Fabricated Structures or Components	S04	Sewage Collection, Treatment and Disposal
N01	Naval Architecture; Off-Shore Platforms	S05	Soils & Geologic Studies; Foundations
N02	Navigation Structures; Locks	S06	Solar Energy Utilization
N03	Nuclear Facilities; Nuclear Shielding	S07	Solid Wastes; Incineration; Landfill
O01	Office Buildings; Industrial Parks	S08	Special Environments; Clean Rooms, Etc.
O02	Oceanographic Engineering	S09	Structural Design; Special Structures
O03	Ordnance; Munitions; Special Weapons	S10	Surveying; Platting; Mapping; Flood Plain Studies
P01	Petroleum Exploration; Refining	S11	Sustainable Design
P02	Petroleum and Fuel (Storage and Distribution)	S12	Swimming Pools
P03	Photogrammetry	S13	Storm Water Handling & Facilities
P04	Pipelines (Cross-Country - Liquid & Gas)	T01	Telephone Systems (<i>Rural; Mobile; Intercom, Etc.</i>)
P05	Planning (Community, Regional, Areawide and State)	T02	Testing & Inspection Services
P06	Planning (Site, Installation, and Project)	T03	Traffic & Transportation Engineering
P07	Plumbing & Piping Design	T04	Topographic Surveying and Mapping
P08	Prisons & Correctional Facilities	T05	Towers (<i>Self-Supporting & Guyed Systems</i>)
		T06	Tunnels & Subways

List of Experience Categories (*Profile Codes continued*)

Code	Description
U01	Unexploded Ordnance Remediation
U02	Urban Renewals; Community Development
U03	Utilities (Gas and Steam)
V01	Value Analysis; Life-Cycle Costing
W01	Warehouses & Depots
W02	Water Resources; Hydrology; Ground Water
W03	Water Supply; Treatment and Distribution
W04	Wind Tunnels; Research/Testing Facilities Design
Z01	Zoning; Land Use Studies

ARCHITECT-ENGINEER QUALIFICATIONS

PART I - CONTRACT-SPECIFIC QUALIFICATIONS

A. CONTRACT INFORMATION

1. TITLE AND LOCATION <i>(City and State)</i>	
2. PUBLIC NOTICE DATE	3. SOLICITATION OR PROJECT NUMBER

B. ARCHITECT-ENGINEER POINT OF CONTACT

4. NAME AND TITLE		
5. NAME OF FIRM		
6. TELEPHONE NUMBER	7. FAX NUMBER	8. E-MAIL ADDRESS

C. PROPOSED TEAM

(Complete this section for the prime contractor and all key subcontractors.)

	<i>(Check)</i>			9. FIRM NAME	10. ADDRESS	11. ROLE IN THIS CONTRACT
	PRIME	J-V PARTNER	SUBCONTRACTOR			
a.				<input type="checkbox"/> CHECK IF BRANCH OFFICE		
b.				<input type="checkbox"/> CHECK IF BRANCH OFFICE		
c.				<input type="checkbox"/> CHECK IF BRANCH OFFICE		
d.				<input type="checkbox"/> CHECK IF BRANCH OFFICE		
e.				<input type="checkbox"/> CHECK IF BRANCH OFFICE		
f.				<input type="checkbox"/> CHECK IF BRANCH OFFICE		

D. ORGANIZATIONAL CHART OF PROPOSED TEAM

(Attached)

E. RESUMES OF KEY PERSONNEL PROPOSED FOR THIS CONTRACT

(Complete one Section E for each key person.)

12. NAME	13. ROLE IN THIS CONTRACT	14. YEARS EXPERIENCE	
		a. TOTAL	b. WITH CURRENT FIRM

15. FIRM NAME AND LOCATION *(City and State)*

16. EDUCATION <i>(Degree and Specialization)</i>	17. CURRENT PROFESSIONAL REGISTRATION <i>(State and Discipline)</i>
--	---

18. OTHER PROFESSIONAL QUALIFICATIONS *(Publications, Organizations, Training, Awards, etc.)*

19. RELEVANT PROJECTS

(1) TITLE AND LOCATION <i>(City and State)</i>	(2) YEAR COMPLETED	
	PROFESSIONAL SERVICES	CONSTRUCTION <i>(If applicable)</i>

a. (3) BRIEF DESCRIPTION *(Brief scope, size, cost, etc.)* AND SPECIFIC ROLE Check if project performed with current firm

(1) TITLE AND LOCATION <i>(City and State)</i>	(2) YEAR COMPLETED	
	PROFESSIONAL SERVICES	CONSTRUCTION <i>(If applicable)</i>

b. (3) BRIEF DESCRIPTION *(Brief scope, size, cost, etc.)* AND SPECIFIC ROLE Check if project performed with current firm

(1) TITLE AND LOCATION <i>(City and State)</i>	(2) YEAR COMPLETED	
	PROFESSIONAL SERVICES	CONSTRUCTION <i>(If applicable)</i>

c. (3) BRIEF DESCRIPTION *(Brief scope, size, cost, etc.)* AND SPECIFIC ROLE Check if project performed with current firm

(1) TITLE AND LOCATION <i>(City and State)</i>	(2) YEAR COMPLETED	
	PROFESSIONAL SERVICES	CONSTRUCTION <i>(If applicable)</i>

d. (3) BRIEF DESCRIPTION *(Brief scope, size, cost, etc.)* AND SPECIFIC ROLE Check if project performed with current firm

(1) TITLE AND LOCATION <i>(City and State)</i>	(2) YEAR COMPLETED	
	PROFESSIONAL SERVICES	CONSTRUCTION <i>(If applicable)</i>

e. (3) BRIEF DESCRIPTION *(Brief scope, size, cost, etc.)* AND SPECIFIC ROLE Check if project performed with current firm

F. EXAMPLE PROJECTS WHICH BEST ILLUSTRATE PROPOSED TEAM'S QUALIFICATIONS FOR THIS CONTRACT <i>(Present as many projects as requested by the agency, or 10 projects, if not specified. Complete one Section F for each project.)</i>		20. EXAMPLE PROJECT KEY NUMBER
21. TITLE AND LOCATION <i>(City and State)</i>	22. YEAR COMPLETED	
	PROFESSIONAL SERVICES	CONSTRUCTION <i>(If applicable)</i>
23. PROJECT OWNER'S INFORMATION		
a. PROJECT OWNER	b. POINT OF CONTACT NAME	c. POINT OF CONTACT TELEPHONE NUMBER
24. BRIEF DESCRIPTION OF PROJECT AND RELEVANCE TO THIS CONTRACT <i>(Include scope, size, and cost)</i>		

25. FIRMS FROM SECTION C INVOLVED WITH THIS PROJECT

a.	(1) FIRM NAME	(2) FIRM LOCATION <i>(City and State)</i>	(3) ROLE
b.	(1) FIRM NAME	(2) FIRM LOCATION <i>(City and State)</i>	(3) ROLE
c.	(1) FIRM NAME	(2) FIRM LOCATION <i>(City and State)</i>	(3) ROLE
d.	(1) FIRM NAME	(2) FIRM LOCATION <i>(City and State)</i>	(3) ROLE
e.	(1) FIRM NAME	(2) FIRM LOCATION <i>(City and State)</i>	(3) ROLE
f.	(1) FIRM NAME	(2) FIRM LOCATION <i>(City and State)</i>	(3) ROLE

H. ADDITIONAL INFORMATION

30. PROVIDE ANY ADDITIONAL INFORMATION REQUESTED BY THE AGENCY. ATTACH ADDITIONAL SHEETS AS NEEDED.

I. AUTHORIZED REPRESENTATIVE

The foregoing is a statement of facts.

31. SIGNATURE

32. DATE

33. NAME AND TITLE

